

ECOR HD Series

4, 8 Channel HD DVR

eZ.HD



NEW



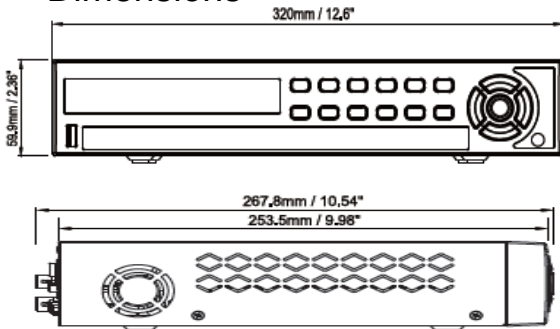
Features

- Megapixel resolution over standard coaxial / UTP (Unshielded Twisted Pair) cable
- eZ upgrade to HD resolution
- 720p or 960H input in different channel (2 channels a set) simultaneously
- H.264 compression format for enhancing recording capacity and improving network image transmission speed
- Multiple Monitors: Separately configured HDMI, VGA, CVBS Monitor outputs
- High bandwidth HD recording (4,8 CH 100/120fps) with recordable reduced bandwidth stream for mobile or multiplexed viewing applications.
- Supports live monitoring and playback of video from mobile devices via MobileFocus / MobileFocus Plus Apps.
- Multiple Control Inputs: mouse / front panel / IR remote controller
- Remote configuration support from built-in web interface
- Ethernet interface for remote network viewing and control.
- Integration with Genie XMS
- Multi-language support

Specifications

ECOR HD Series	ECOR HD 4F	ECOR HD 8F
HD or WD1 Video In	x 4 on BNC	x 8 on BNC
Video Out	HDMI x 1 / VGA x 1 / CVBS x 1	
Recording Rate/Resolution	NTSC 120fps@720p; PAL 100fps@720p	NTSC 120fps@720p; PAL 100fps@720p
Playback Rate/Resolution	NTSC 120fps@720p; PAL 100fps@720p	NTSC 120fps@720p; PAL 100fps@720p
Compression Format	H.264	
Operating System	Linux® embedded	
Audion In/Out	4 In / 1 Out	4 In / 1 Out
Alarm In/Out	4 In / 1 Out	4 In / 1 Out
Internal Storage	3.5" HDD x 1 (max 4TB)	3.5" HDD x 2 (max 8TB)
External Storage	N/A	N/A
RAID	N/A	
Built-in slim DVD burner	N/A	
Network/Protocols	10/100 Ethernet x 1/TCP-IP / DHCP / PPPoE / DDNS / SMTP / NTP	
USB	USB 2.0 x 2	
RS-232/RS-485	0 / 1	
Configuration Method	OSD UI / Webpage	
Mobile Viewing	iOS, Android	
Pentaplex Operation	Simultaneous Live, Recording, Playback, Archive and Remote viewing	
Dual Streaming	Yes	
Recording Mode	Manual, Schedule, Event	
Playback Search	Date/Time search	
Video Pause	Yes	
Video Loss Detection	Yes	
Motion Detection	Yes	
Event Log	Yes	
Watch dog timer	Yes	
Schedule settings	Yes	
User Access	3 Levels of user access	
PTZ protocols supported	Pelco D, Pelco P, Samsung, EverFocus Transparent	
Operating Temp.	0°C~40°C / 32°F~104°F	
Power Source	12V 3A	
Power Consumption	36W max.	
Dimensions (W x D x H)	320 x 267.8 x 59.9mm / 12.6" x 10.54" x 2.36"	
Weight	2.36 kgs / 5.2 lbs	3.14 kgs / 6.92 lbs
Certificates	CE, FCC,UL	

Dimensions



- All product specifications are subject to change without notice
- Models vary in different countries. Please visit EverFocus regional websites for detailed ordering