



MPD



MPD-CPS



MPD ATSC/8VSB/QAM Demodulator

- Frequency range 54 to 860MHz
- Decodes HD/SD ATSC/8VSB, and uncripted QAM 64 and 256 (ANNEX B) digital RF signals
- SAP (English, French, Spanish) and support closed caption (EIA-608)
- High Density design, up to 10 MPD modules in 2 RU
- Stereo output
- Front panel indicator LED to monitor input 8VSB or QAM signal lock
- Easily configured power controller allows individual channel mapping and automatic scanning of individual modules
- Convenient front panel channel selection for channel and demodulation mode settings
- Decodes all 18 ATSC video formats
- Supports IRC and HRC offsets
- One F-connector video output and two stereo RCA left and right audio outputs provided at the back of the unit
- Nonvolatile memory for easy channel recall in the event of power failure

Specifications

MPD

Input - QAM

Mode

64 & 256 QAM Annex B

Data rate

26.9 Mbps QAM 64

38.8 Mbps QAM 256

Input connector

75 F-Female

Frequency range

54 to 860MHz

Channel range

Ch. 2-135

Input AGC range

-35 to 30dBmV

Impedance

75

Input connector

F-Female

Input - 8VSB

Frequency range

54 to 806MHz

Channel range

VHF Ch. 2 - 13, UHF 14 - 69

Data rate

19.4 Mbps

Input AGC range

-35 to 30dBmV

Modulation

8VSB

Impedance

75

Input connector

F-Female

Output - Video NTSC

Frequency range

DC to 4.2MHz

Output level

1 V p-p

Impedance

75

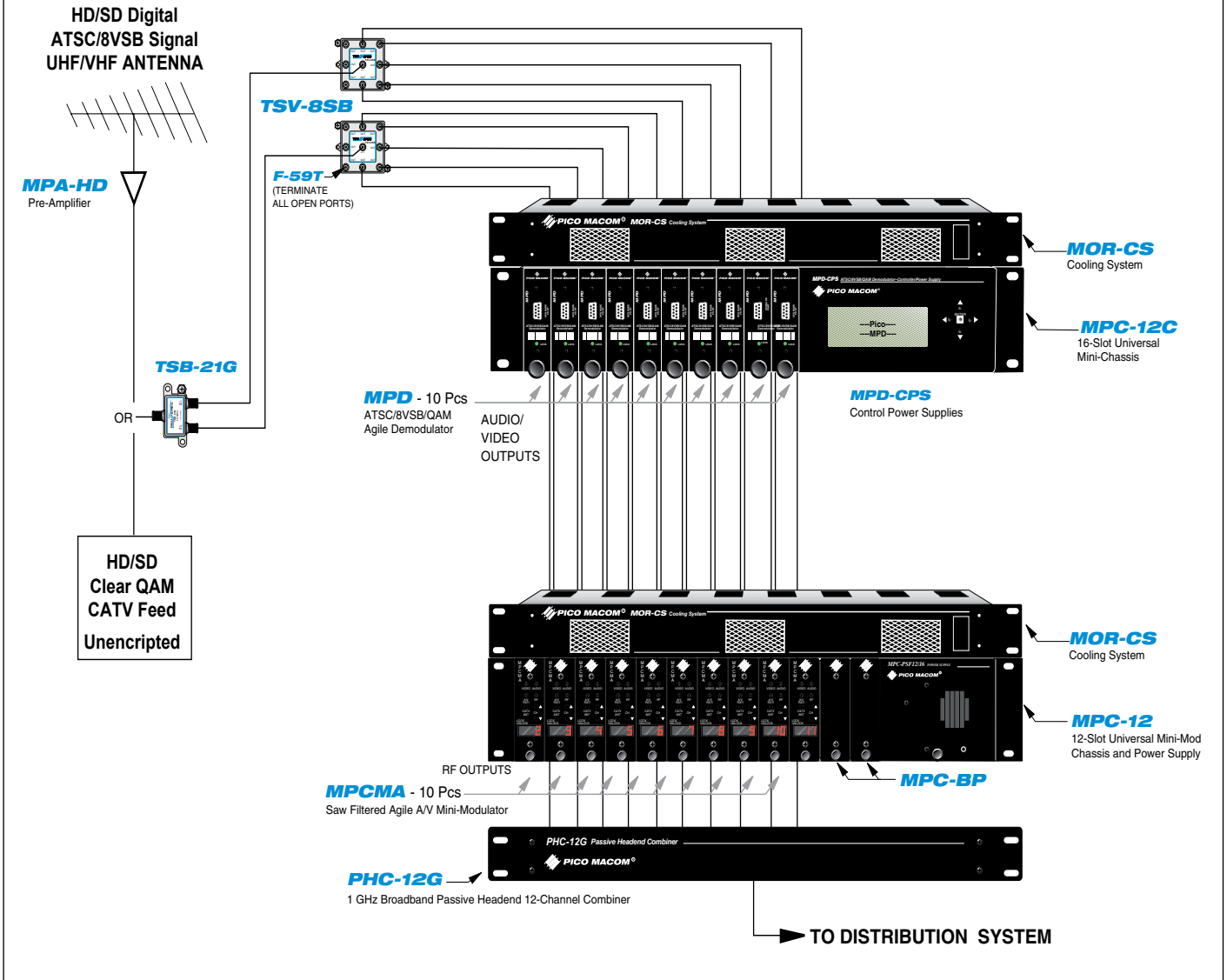
Video format

480i NTSC

Aspect ratio

4:3, 16:9 (PAN, SCAN)

Digital Off-Air Modular, Headend System



Output - Analog Stereo Audio

Audio level	1 V p-p
Audio control	Adjustable
Frequency range	50Hz to 19kHz
Connectors	RCA, left and right

General

DC input voltage	5 and 12Vdc
MPD Power	5Vdc @ 300mA 12Vdc @ 200mA
Dimensions	1.025" (W) x 3.465" (H) x 8.70" (D)
Weight	0.8 lbs.

MPD-CPS

Input	100-240Vac, 50/60Hz, 2.0A max.
Output	+5Vdc, 4.5A max.; +12Vdc, 3.0A max.
Dimensions	6.2"(W) x 9.05"(D) x 3.47"(H)
Weight	4 lbs.

Ordering Information

MPD	ATSC/8VSB/QAM Demodulator
MPD-CPS	Power Supply/Controller
MPC-12C	Mini-Mod Chassis
MOR-CS	Headend Cooling System