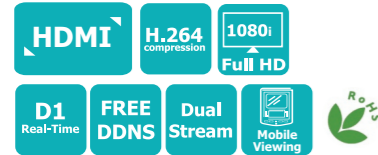


Paragon264 Series DVR

16 Channel w/480 FPS D1 Real Time, H.264 & HDMI/1080i Display



Features

- 480 FPS real-time recording & playback at D1
- H.264 compression format conserves disk space & bandwidth HDMI Video Output (1080i)
- 3 independent monitor support
- Main monitor: Simultaneous VGA, composite & S-Video output
- Call monitor: additional composite output with multiplex and/or sequenced views
- Simultaneous main streaming (480 FPS@D1) & second streaming (Up to 480 FPS @ CIF)
- Pentaplex Operation (Simultaneous live view, recording, playback, archiving and remote viewing)
- User friendly Graphical User Interface (GUI) menu
- Supports eSATA
- Supports mobile monitoring with HTTP streaming
- Multiple Control Inputs: mouse, front panel, IR remote controller & optional EKB500 keyboard
- Built-in DVR time recording calculator for quick recording estimation
- Express Setup: menu option for quick & easy installation
- Express Archive using USB drive or DVR burner
- Express Playback & Search: Simply point, click and drag the playback bar to view previous recordings
- Remote configuration support from the built-in web interface
- Gigabit Ethernet interface for remote network viewing & control
- On-screen PTZ control via mouse or front panel
- 2 Hot Swappable HDD or 4 internal HDD
- 3 USB 2.0 ports (2 on front panel, 1 back) for video archive & mouse usage
- Multi-language support
- Watermark capabilities to identify intentional modifications of recorded data
- Rack mountable
- Free EverFocus DDNS service

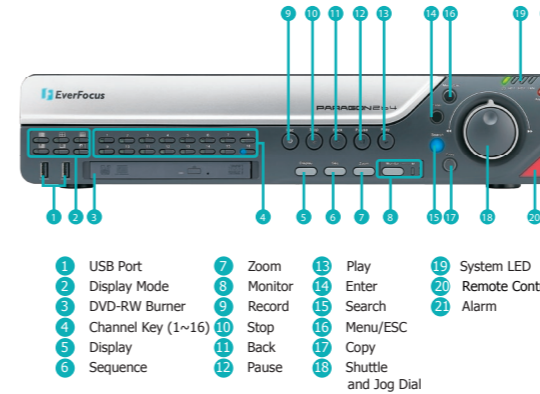
Specifications

Model Number	EPARA264-16X4
Channel	16
Compression Format	H.264
HDMI Video Output	Yes
Recording & Playback Resolution	NTSC: 704x480 / PAL: 704x576 (D1) NTSC: 704x240 / PAL: 704x288 (2CIF) NTSC: 352x240 / PAL: 352x288 (CIF)
Recording & Playback Rate	480/400 FPS at D1 480/400 FPS at 2CIF 480/400 FPS at CIF (NTSC/PAL)
Mobile Viewing	Yes with HTTP streaming
Pentaplex Operation	Simultaneous Live, Recording, Playback, Archive and Remote Viewing
Video Input	16 looping BNC
Video Output	Main monitor #1 HDMI 1080i single or multiple camera view, Main monitor #2 VGA/BNC single or multiple camera view. Call monitor single camera full screen with switching on alarm
Audio In/Out (RCA)	16 Inputs/1 Output
Recording Mode	Manual, Event, Schedule
Playback Search	By Date/Time and Event
Alarm In	One N.O./N.C. input per BNC camera input
Alarm Out	4 Form "C" relays
Video Pause	Yes
Video Loss Detection	Yes
Motion Detection	Yes
Event Log	Yes
Watch Dog Timer	Yes
HDD	2 Hotswappable/ 4 Internal, 1 eSATA
Built-in DVD Burner	Slim type DVD Burner (optional)
User Interface	Graphical User Interface (GUI)
OS	Embedded Linux
Network	Gigabit Ethernet/TCP-IP/DHCP/PPPoE/DDNS/3GPP
Supported PTZ Protocol	EverFocus, Pelco D, Pelco P, Samsung, Transparent
Control PTZ via OSD	Yes
USB	3 USB ports (two 2.0 Front Panel, one 1.0 Back Panel)
Schedule Setting	Supports Express and Advanced Schedule Setting
User Access	Local login (optional) w/3 user privilege levels; remote login required
RS-232	Receive commands from Host to control DVR & POS data from POS interface
RS-485	Receive commands from Host to control DVR, EKB500 to control DVR, Send out commands to PTZ
Power Source	100VAC~240VAC
Power Consumption	180W
Dimensions (L x W x H)	430 x 410 x 88 mm / 16.9" x 16.2" x 3.5"
Weight	9.8 kg / 21.6 lbs (hot-swap w/HDDs), 10.4 kg / 23 lbs (internal w/HDDs)
Operating Temp.	0°C~40°C / 32°F~104°F (20~80% humidity)

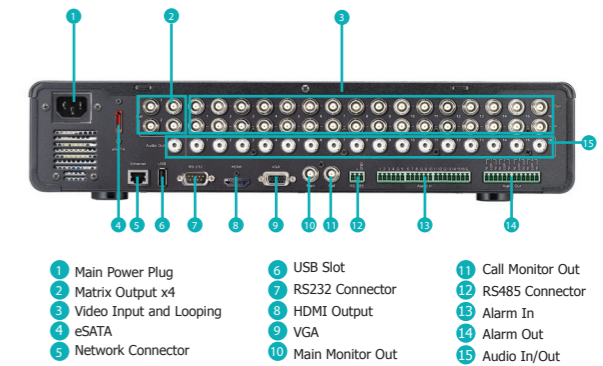
*Models vary in different countries. Please visit your EverFocus regional website for detailed ordering information.

Major Operating Controls

Front Panel Design



Back Panel Design



*Front & back panel controls vary depending on models

Advantages

Real Time Recording at D1

Dual streaming allows local recording of 480 FPS at D1 resolution and remote IP viewing over LAN or WAN at CIF resolution to conserve bandwidth.

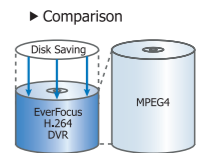


Full HD Video Output

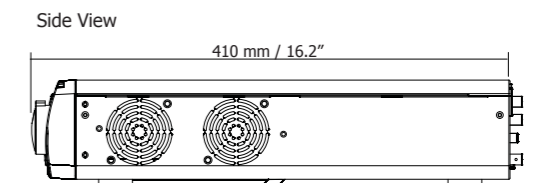
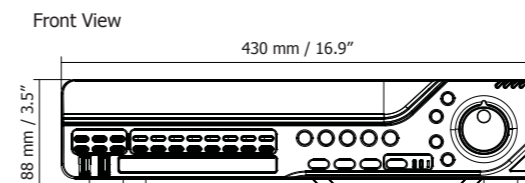
Paragon264 has true 1080i with an entire megapixel of resolution allocated to main monitor display. NTSC is 1/3 of a megapixel and the NTSC quad shows each camera at CIF (4CIF=D1). The HDMI has 4x the detail to show 4 cameras at nearly full NTSC resolution. Digital output delivers stunning images from any resolution and enhances motion reproduction to deliver smoother and clearer looking video.

H.264 Compression Technology

H.264 compression technology is considered to be approximately 1.5 times more efficient as compared to MPEG4. Using this advanced method, the Paragon264 DVR delivers maximum image clarity together while conserving both disk space and LAN/WAN transmission bandwidth.



Dimensions



(Unit: mm/inch)