

WDL-7001M

Color TFT LCD Monitor w/ Remote Control

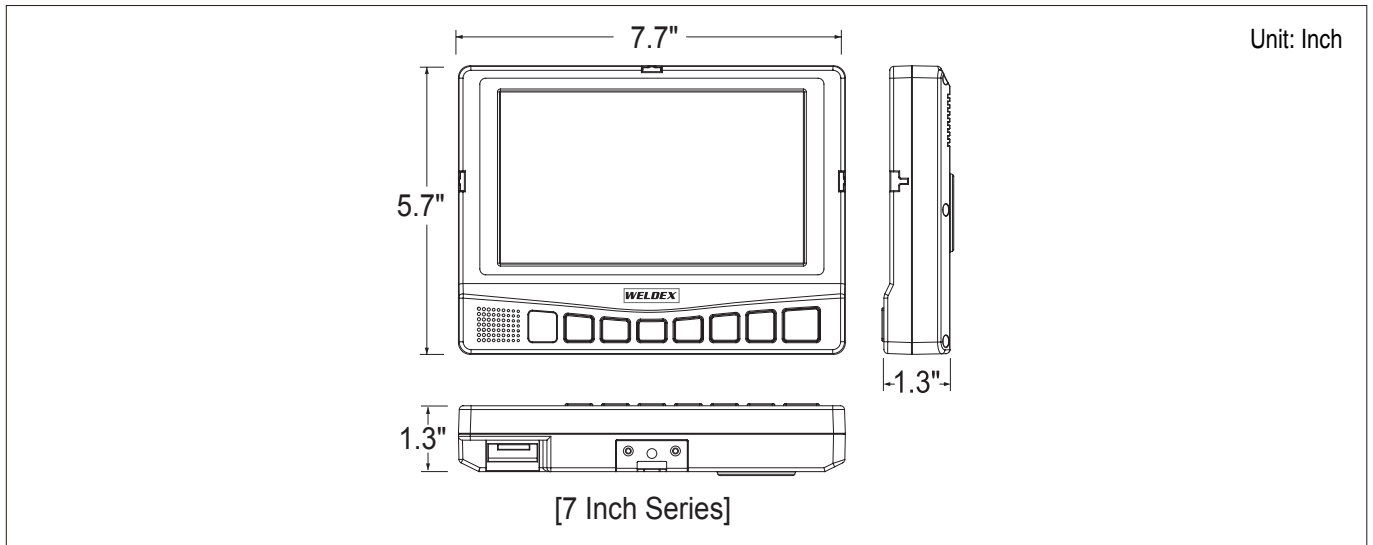
- Weatherproof high resolution TFT LCD monitor (with remote control, mounting bracket and accessories)
- Miniature size color monitor for compact applications
- Selectable mirror-image mode
- Active matrix for absolute picture clarity
- OSD for AV source (color, brightness, contrast, tint & volume control)
- NTSC and PAL versions available
- Integrated audio speaker
- Sunshield (option)



Specification

Screen size	7.0" (diagonal)
Resolution	800 (W) x 480 (H)
Contrast ratio	500:1
Brightness	Max 400cd/m ²
Dot pitch (mm)	0.0642 (W) x 0.1790 (H)
Active area (mm)	154.08 (W) x 85.92 (H)
Viewing angle	Up: 50° / down: 70° / right: 70° / left: 70°
Dimensions	7.7" (W) x 5.7" (H) x 1.3" (D)
Color system	NTSC / PAL
Video output	1Vp-p (75Ω impedance)
Connectors	Audio(RCA), video(RCA), power jack
Power consumption	DC12V, 5W
Operating temperature	-30°C ~ +85°C (-22°F ~ +185°F)
Weight	1.3kg (gross weight)

Dimension



LCD	7"	400 (cd/m ²)	500:1	800 X 480	5W	12V
-----	----	-----------------------------	-------	-----------------	----	-----