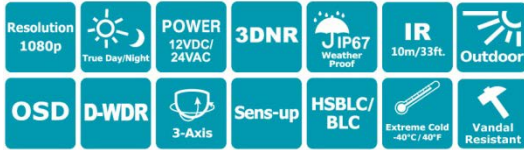


## EMW935F

1080p Full HD True Day / Night Outdoor  
IP67 Mobile IR Mini Vandal Camera



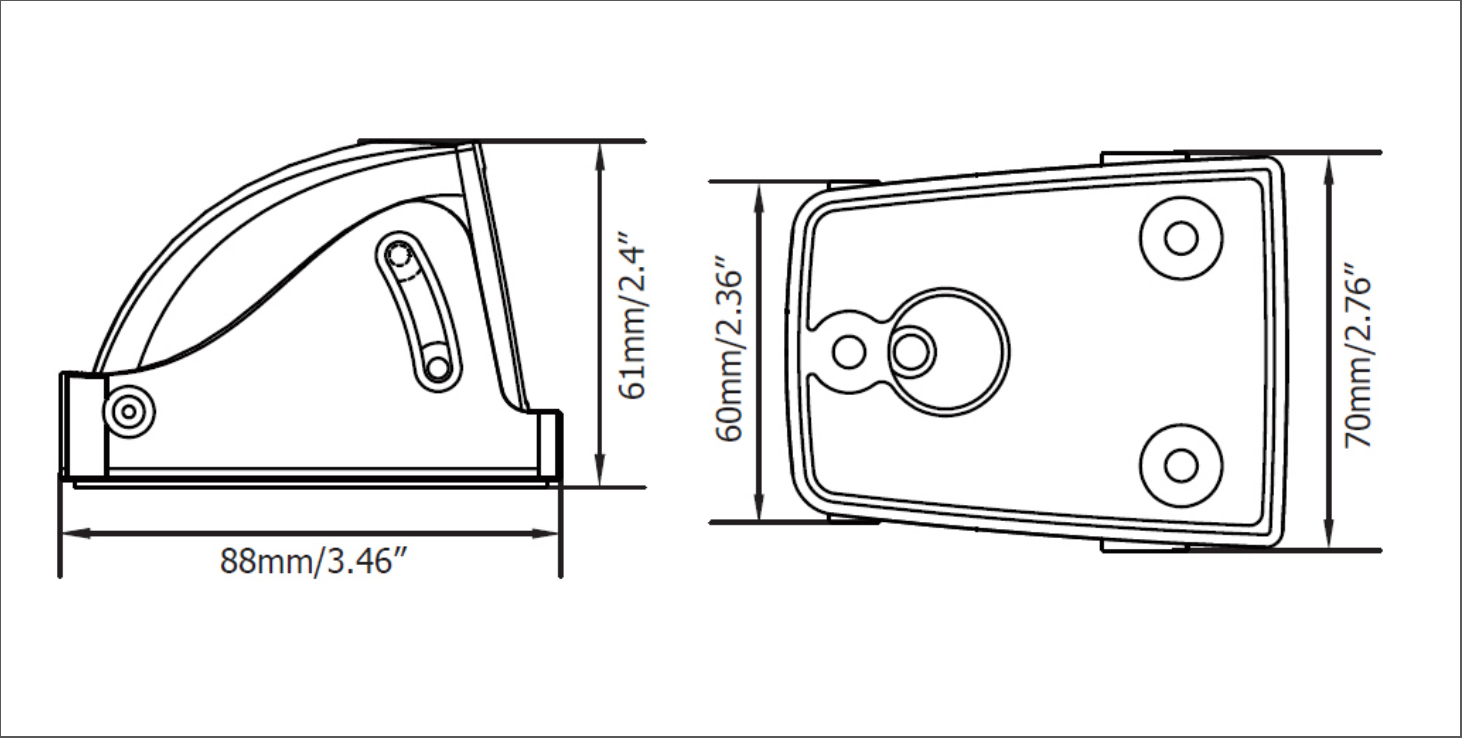
eZ.HD



## Features

- 1080p Full HD with high flexibility and performance for astounding image
- 1/2.9" Sony 2.24MP CMOS sensor, delivering amazing high sensitivity
- 3.6mm lens to capture the desired field of view
- Extended IR range up to 10m / 33ft. with 12 LEDs (Depending on scene IR reflectivity)
- D-WDR to improve the visibility under high contrast scene
- 3D-Noise Reduction ensures less blurry moving subjects, vivid and high SN ratio images even under low light environments
- Supports 1080p, 720p & 960H analog signal output, which can be easily switched using OSD Joystick
- Vandal Resistant construction able to withstand intentional damage
- IP67 Weather Resistant
- Compact size for discreet surveillance
- eZ Controller function: Control camera OSD settings and PTZ operation directly from DVR end

# Dimensions



# Specifications

Model No.	EMW935F		
Pickup Device	1/2.9" Sony 2.24MP CMOS	OSD Languages	English / Simplified Chinese / Traditional Chinese / German / French / Italian / Spanish / Polish / Russian / Portuguese / Netherlands / Turkish
Video Format	NTSC / PAL (Can be switched via OSD)	DNR	2DNR / 3DNR, Off
Effective Pixels	1920 (H) x 1080 (V)	Defog	Off / Auto
Scanning System	Progressive Scan	D-WDR	On / Off / Auto
Sensitivity	0 Lux with IR On	Sens-up	Off / Auto (x2 ~ x30)
Electronic Shutter	Auto / Manual (x30 ~ 1/50,000) / FLK	Mirror	Off / Mirror / V-Flip / Rotate
Gamma Correction	0.45	Motion Detection	Off / On for 4 selectable zones
Lens Type	3.6mm	Privacy Mask	Off / On for 4 selectable zones
BLC	OFF / BLC / HS BLC Selectable	Environmental	IP67 Weather Resistant
AGC	0 ~ 15 Levels	Power Source	12VDC
White Balance	ATW / AWC-SET / Indoor / Outdoor / Manual / AWB	Power Consumption	3W max.
Sync. Mode	Internal	Operating Temperature	-20°C ~ 50°C / -4°F ~ 122°F
Day / Night	Ext, Auto, Color, B/W	Humidity	Less than 80%
UTC Function	Supported	Dimensions	88 x 70 x 61mm / 3.46" x 2.76" x 2.4"
IR LEDs	12 Units	Weight	360g
IR Distance	Up to 10m / 33ft. (Depending on scene IR reflectivity)	Certificates	CE, FCC, RoHS

## Find Out More At:

**EverFocus Taiwan HQ:**  
 TEL: +886 2 2698 2334  
[www.everfocus.com.tw](http://www.everfocus.com.tw)  
[marketing@everfocus.com.tw](mailto:marketing@everfocus.com.tw)

**EverFocus USA - California:**  
 TEL: +1 626 844 8888  
[www.everfocus.com](http://www.everfocus.com)  
[sales@everfocus.com](mailto:sales@everfocus.com)

**International Branch Offices:**  
 Germany, China, Japan

