

ELUX4 / ELUX8 / ELUX16

4 / 8 / 16 CH, H.264, 1080p Hybrid DVR



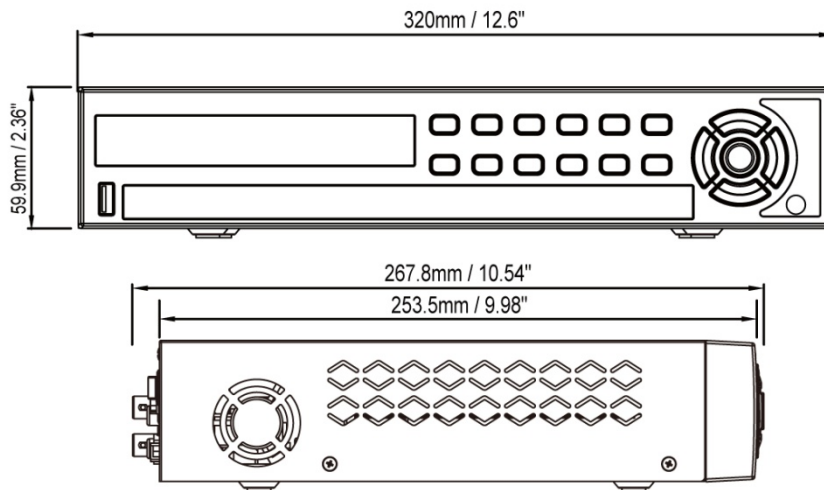
eZ.HD



Features

- Megapixel resolution over standard coaxial / UTP (Unshielded Twisted Pair) cable
- eZ upgrade to Full HD resolution
- Supports hybrid cameras (CVI and HD-SDI cameras are not supported)
- Supports 1080p, 720p, 960H or D1 simultaneous video inputs
- H.264 compression format for enhancing recording capacity and improving network image transmission speed
- eZ Controller function: Control camera OSD settings and PTZ operation directly from DVR end
- Multiple Monitors: Separately configure main and call monitor outputs
- High bandwidth recording with reduced bandwidth stream for mobile or multiplexed viewing applications.
- Supports live monitoring and playback of video from mobile devices via MobileFocus (Plus) / MobileFocusHD (Plus) Apps.
- Multiple Control Inputs: mouse / front panel / IR remote controller
- Remote configuration supports from built-in web interface
- Ethernet interface for remote network viewing and control
- eZ Hopper function: Only one mouse to control up to 16 connected EverFocus DVRs / NVRs
- Supports radio-controlled clock for time synchronization
- Integration with Genie XMS CMS
- Multi-language support

Dimensions



Accessory

EKB200

USB controller keyboard

Connect to the PC or DVR to control the PTZ cameras connected to the DVR



EKB500

RS-485 keyboard

Connect to the RS-485 port to control the PTZ cameras connected to the DVR



Specification

Model Name		ELUX16	ELUX8	ELUX4
System				
Operating System		Embedded Linux		
Number of Channels		16CH	8CH	4CH
RAM		2GB	1GB	512MB
Watchdog		Yes		
Dual Stream		Yes		
OSD Menu		Yes		
System Control		Front Panel Buttons, Mouse, IR Remote Control		
Pentaplex Operation		Simultaneous Live, Recording, Playback, Archive and Remote Viewing		
PTZ Protocol Supported		EverFocus, Pelco D, Pelco P, Samsung, Transparent		
Video				
Compression Format		H.264		
Video Format		NTSC / PAL		
Video Inputs		16 x BNC	8 x BNC	4 x BNC
Video outputs	Main	HDMI	HDMI and VGA	HDMI and VGA
	Call	VGA and BNC	BNC	BNC
Recording				
Recording Rate / Resolution	NTSC	240fps @ 1080p; 480fps @ other res.	120fps @ 1080p; 240fps @ other res.	60fps @ 1080p; 120fps @ other res.
	PAL	200fps @ 1080p; 400fps @ other res.	100fps @ 1080p; 200fps @ other res.	50fps @ 1080p; 100fps @ other res.
Recording Modes		Manual, Schedule and Event		
Playback				
Playback Rate / Resolution	NTSC	240fps @1080p; 480fps @ other res.	120fps @1080p; 240fps @ other res.	60fps @1080p; 120fps @ other res.
	PAL	200fps @1080p 400fps @ other res.	100fps @1080p 200fps @ other res.	50fps @1080p 100fps @ other res.
Search Modes		Date / Time, Event, Motion in Recorded Video, Snapshot by Interval		
Audio				
Audio Inputs		16 inputs	8 inputs	4 inputs
Audio Output		1 output		
Alarm				
Alarm Inputs		4 inputs		
Alarm Outputs		1 x relay		
Storage Device				
Internal 3.5" HDD		2 x SATA HDD (Optional)		1 x SATA HDD (Optional)
Storage Capacity		8 TB		4 TB

Model Name	ELUX16	ELUX8	ELUX4
Network			
Ethernet	10/100/1000 Ethernet	10/100 Ethernet	
Protocol	TCP-IP / DHCP / PPPoE / DDNS / SMTP / NTP		
Interface			
USB 2.0	2 x USB 2.0 port (1 on Front Panel, 1 on Back Panel)		
RS-485	2 pin terminal connector		
Ethernet	1 x RJ-45		
General			
Power Input	12VDC / 5A	12VDC / 5A	12VDC / 5A
Power Consumption	60W max.	60W max.	60W max.
Operating Temperature	0°C ~ 40°C / 32°F ~ 104°F (20 ~ 80% humidity)		
Dimensions (W x D x H)	320 x 267.8 x 59.9mm / 12.6" x 10.54" x 2.36"		
Weight (without HDDs)	3.14kg / 6.92lb		2.36kg / 5.2lb
Language	English, Japanese, Traditional Chinese, Spanish, Deutsch, French, Russian, Portuguese (Brazil), Dutch, Simplified Chinese		
Regulatory	CE, FCC, UL		
Functions			
Video Pause	Yes		
Video Loss Detection	Yes		
Motion Detection	Yes		
Event Log	Yes		
User Interface	GUI (Graphical User Interface)		
Control PTZ via OSD	Yes (via both local and remote interfaces)		
Schedule Setting	Supports Express and Advanced Schedule Setting		
User Access	3 Levels of User Access Defined		
Remote Client System Minimum Requirement			
Operating System	Windows XP (32-bit) / Win7 (32 and 64-bit)		
CPU	Intel Core 2 Duo, 2.6GHz		
RAM	2GB		
VGA	AGP / PCI-Express, 800 x 600 (1280 x 1024 recommended), 32-bit color		
LAN Speed	10 / 100 / 1000 Mbps (RJ45)		
Web Browser	Windows IE9 and later; Chrome version 45 and lower; Firefox		
Other Remote Application	1. EverFocus' CMS: Genie XMS 2. EverFocus' mobile app: MobileFocus for iOS and Android devices; MobileFocusHD for iPad		

Find Out More At:

EverFocus Taiwan HQ:
TEL: +886 2 2698 2334
www.everfocus.com.tw
marketing@everfocus.com.tw

EverFocus USA - California:
TEL: +1 626 844 8888
www.everfocus.com
sales@everfocus.com

International Branch Offices:
Germany, China, Japan

