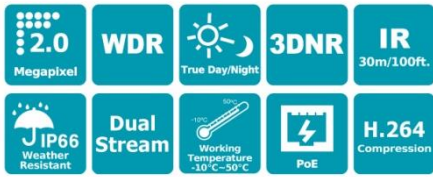


## EBN268V

2 Megapixel IR & WDR, Vari-focal,  
Outdoor Ball Network Camera

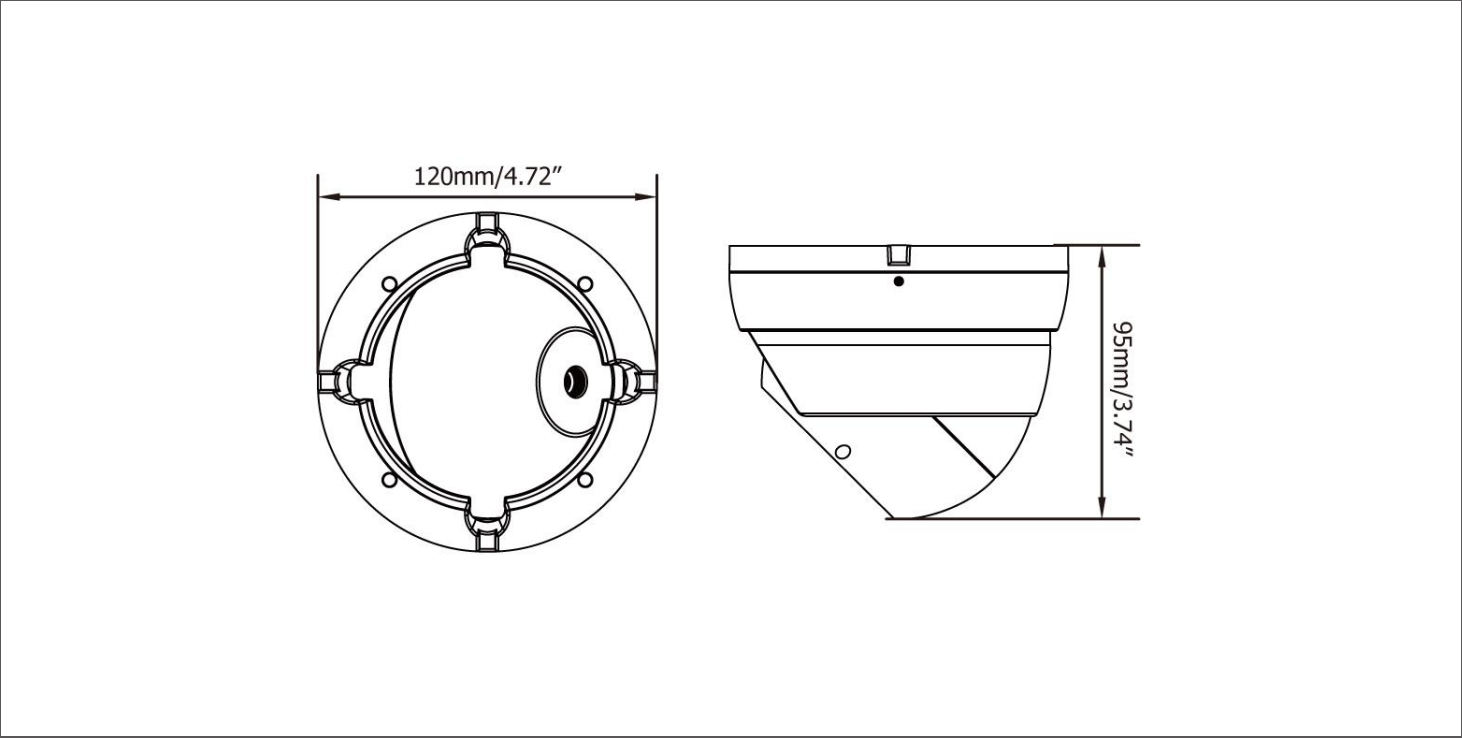
ONVIF  
Compliant



## Features

- SONY Progressive Scan CMOS sensor
- Varifocal 2.8-12mm lens to capture the desired field of view
- Wide Dynamic Range Function
- Provides True Day / Night functionality with automatic IR filter operation
- Extended IR range up to 30m/100ft. with 36 LEDs (Depending on scene IR reflectivity)
- Multi-streaming from H.264 / MJPEG
- 1080p full real time recording
- Weather proof IP66-rated
- The flexible angle viewing with its 3-Axis rotation design allows wall or ceiling mounting
- Special design, easy installation and operation
- Supports Motion Detection & Email notification
- Supports live monitoring of video from mobile devices via MobileFocus / MobileFocus plus Apps (iOS & Android)
- Supports Power over Ethernet / 12VDC

# Dimensions



# Accessory



# Specification

Model No.	EBN268V		
Pickup Device	Sony CMOS sensor	Password Protection	Support
Lens	2.8-12mm, F1.4	Stream Type	Complex stream / Video stream
Minimum Illumination	Color: 0.2 Lux @ F1.4; B/W: 0.05 Lux @ F1.4 0 Lux (IR LEDs on)	Image Settings	Contrast, Brightness, Saturation, Sharpness, Mirroring of Images
Day/Night	True Day/Night with ICR	Event Trigger	Motion Detection
Iris	Fixed Iris	Notification	Email notification
Shutter Time	Auto / Manual (1/7.5 ~ 1/15,000)	IR LED (Units)	36 Units
Video Compression	H.264 / MJPEG	IR Distance	30m / 100ft.
Max. Video Resolution	1920 x 1080	Power Supply	12VDC
Frame Rate	25fps / 30fps	Power over Ethernet	PoE 802.3af (Class 3)
S/N Ratio	> 50 dB	Connector	DC Jack, RJ-45
AGC	Yes	Max Power Consumption	6W (12VDC) / 7W (PoE)
AWB	Yes	Humidity	20% ~ 80% not condensing
WDR	Yes	Operating Temperature	-10°C ~ 50°C / 14°F ~ 122°F
Interface	RJ-45 10M/100M adaptive	Dimensions (Φ) x (H)	120 x 95mm / 4.72" x 3.74"
Supported Protocols	ONVIF, TCP/IP, UDP, RTP, RTSP, HTTP, DNS, DDNS, DHCP, NTP, PPPoE	Weight	740g / 1.63lb
Alarm function	Video loss, Network disconnect, Tampering alarm, Storage exception	Certificates	CE, FCC, RoHS

## Find Out More At:

**EverFocus Taiwan HQ:**  
TEL: +886 2 2698 2334  
www.everfocus.com.tw  
marketing@everfocus.com.tw

**EverFocus USA - California:**  
TEL: +1 626 844 8888  
www.everfocus.com  
sales@everfocus.com

**International Branch Offices:**  
Germany, China, Japan

