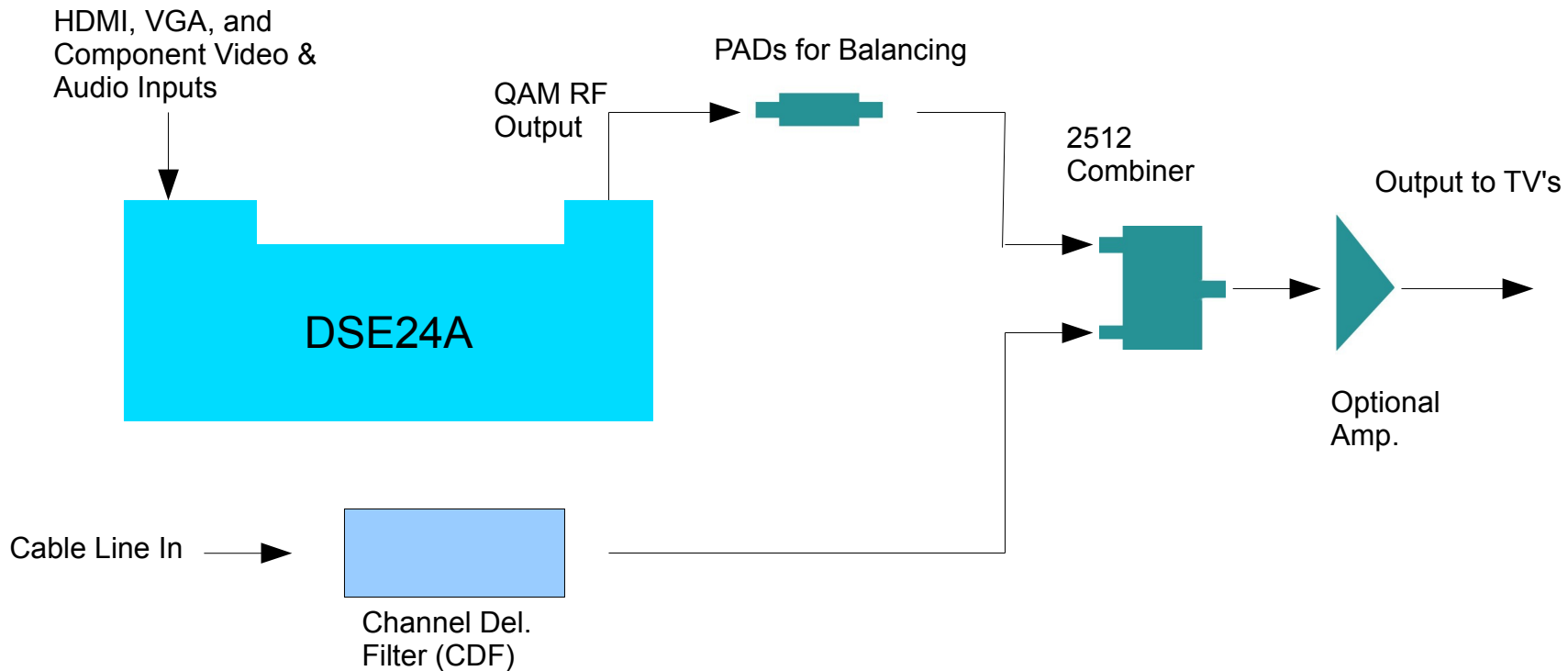


Inserting HD Modulators into a cable line.

This schematic outlines the standard approach of insertion of a DSE24A modulator. This system requires the use of a Channel Deletion Filter (CDF) to be placed on the cable line after it enters the building. The CDF will allow all channels to pass but deletes the desired channel. This deletion allows you to insert an HD modulated QAM channel on the desired channel. You must use pads for balancing the QAM output of the modulator with the level of the cable line. Balancing can be done by stacking pads into the modulated line and watching for any interference to be resolved. The combined output can be split to feed many TV's.



ATV Research Inc.
1301 Broadway PO Box 620
Dakota City, NE 68731
800-392-3922